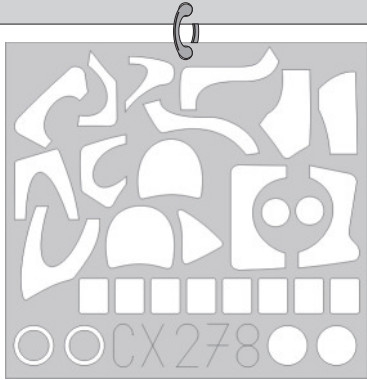


eduard
MASK

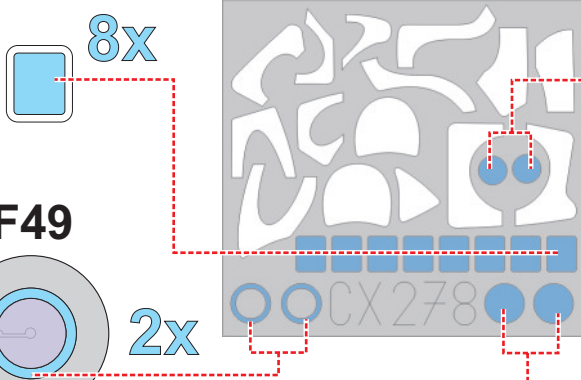
CX 278

Mi-24V Hind E 1/72

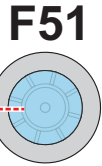
The die-cut mask for accurate canopy frame painting of the
Zvezda scale 1/72 KIT



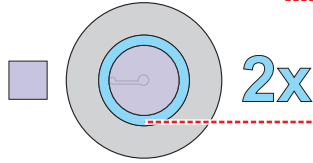
D6 8x
D7



2x

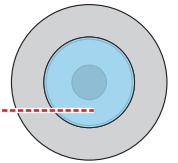


F49

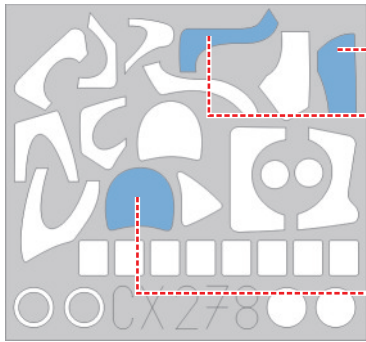


2x

F50

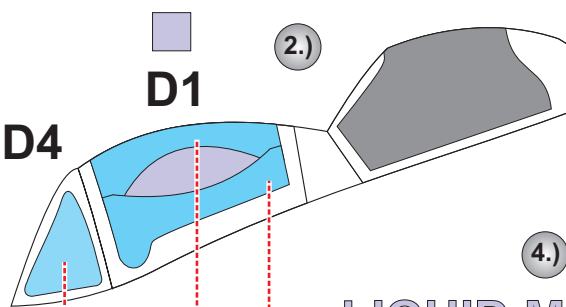
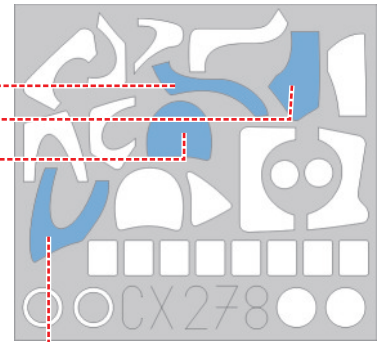
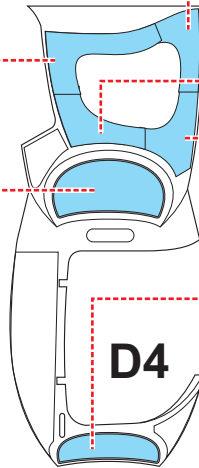


2x



1.)

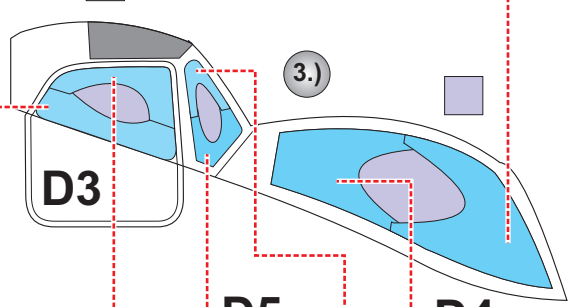
D5



D1

2.)

D4



3.)

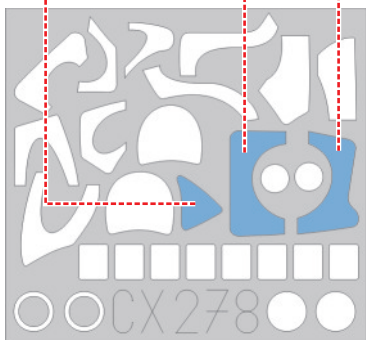
D3

D5

D4

4.)

LIQUID MASK



5.)

